

NAVIGATE THE CATALOG BY SECTION

[1](#) [2](#) [3](#) [4](#) [5](#) [6](#) [7](#) [8](#) [9](#) [10](#) [11](#) [12](#) [13](#) [14](#) [15](#) [16](#) [17](#) [18](#) [19](#)



LAPP ONLINE CATALOG

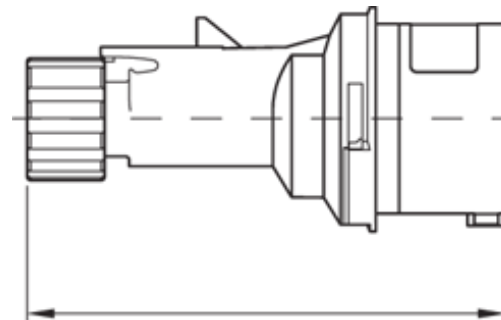
EPIC® Pin & Sleeve Connectors

30 Amp: North American Version

MULTIMAX Male Plugs



IP 44



3 wires= 127 mm (5")
 4 wires= 134 mm (5.28")
 5 wires= 142 mm (5.59")

TECHNICAL DATA

Impact Resistance:	8J
Ambient Temperature:	-25°C to 70°C
Flame Resistance:	
➤ Glow Wire Test: Enclosure:	850°C
➤ Glow Wire Test: Contact Enclosure:	850°C
➤ Self-Extinguishing: Enclosure:	UL94-V2

PART NUMBERS

Part Number	Voltage	# of Wires	# of Poles	Ground-Clock Position
700224FX	125	3	1+N+PE	4
700226FX	250	3	2+PE	6
700227FX	480	3	2+PE	7
700223FX	250 DC	3	2+PE	3
701232FX	125/250	4	2+N+PE	12
700239FX	3Ø250	4	3+PE	9
700237FX	3Ø480	4	3+PE	7
700235FX	3Ø600	4	3+PE	5
700249FX	3ØY 120/208	5	3+N+PE	9
700247FX	3ØY 277/480	5	3+N+PE	7
700245FX	3ØY 347/600	5	3+N+PE	5
700242FX	50-250 (500 Hz)	5	3+N+PE	2

MATING COMPONENTS

- [MULTIMAX Female Connector with Cable Sleeve, IP 44](#)
- [CEE Straight Female Panel Mount Receptacle, IP 44](#)
- [CEE 75° Female Internal Surface Mount Receptacle, IP 44](#)



DOWNLOAD PDF CATALOG PAGE

LAPP USA • LAPP CANADA • LAPP MEXICO

Headquarters: 29 Hanover Road, Florham Park, NJ 07932
 800-774-3539 • FAX: 973-660-9330 • sales@lappusa.com